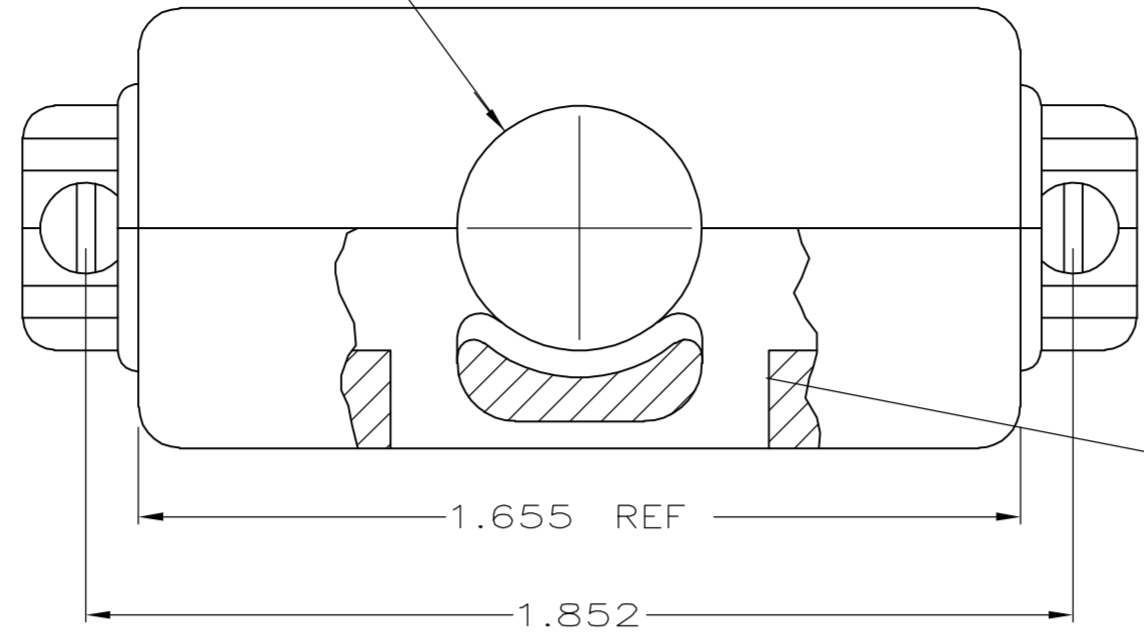


THIS DRAWING IS UNPUBLISHED. RELEASED FOR PUBLICATION  
 © COPYRIGHT 2006 BY TYCO ELECTRONICS CORPORATION. ALL RIGHTS RESERVED.

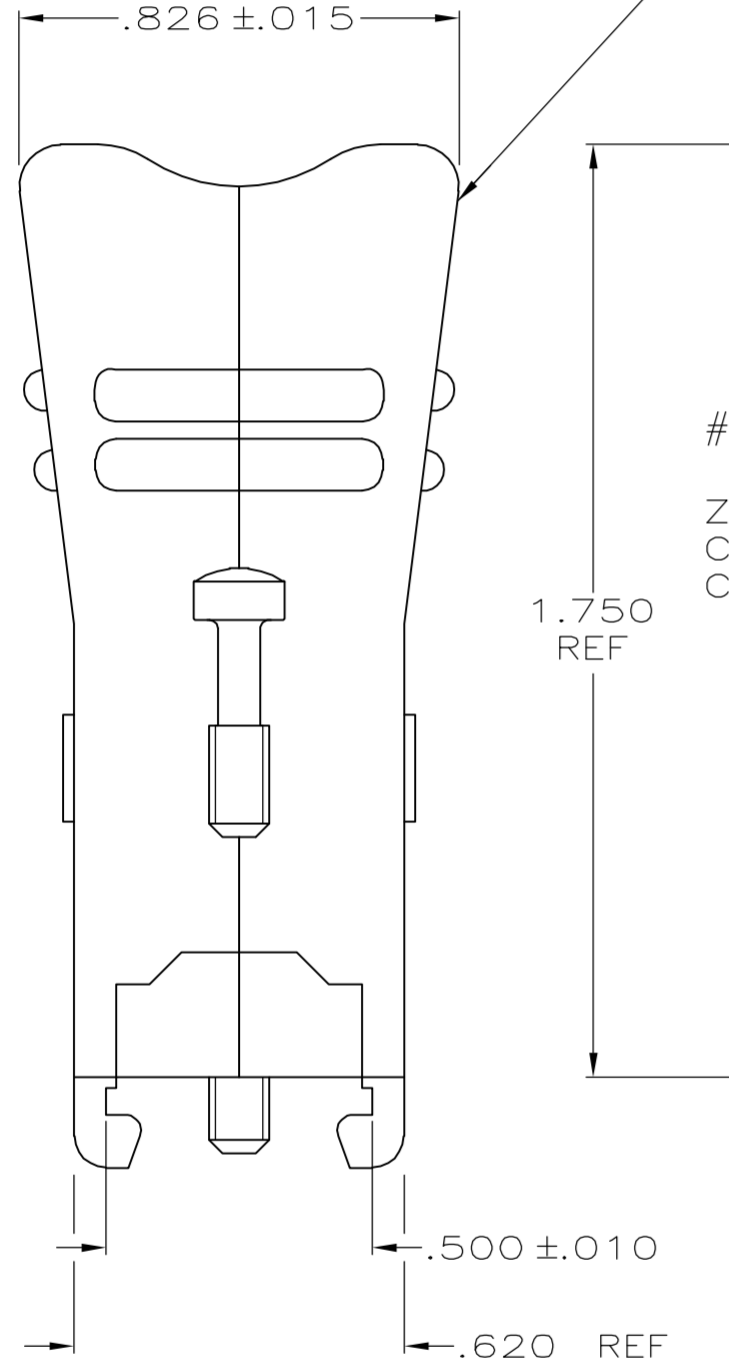
LOC	DIST	REVISIONS			
P	LTR	DESCRIPTION	DATE	DWN	APVD
GP	00	0	RELEASED PER EC 0513-0221-05	31AUG05	RR JG

.335 MAX DIA  
CABLE OPENING

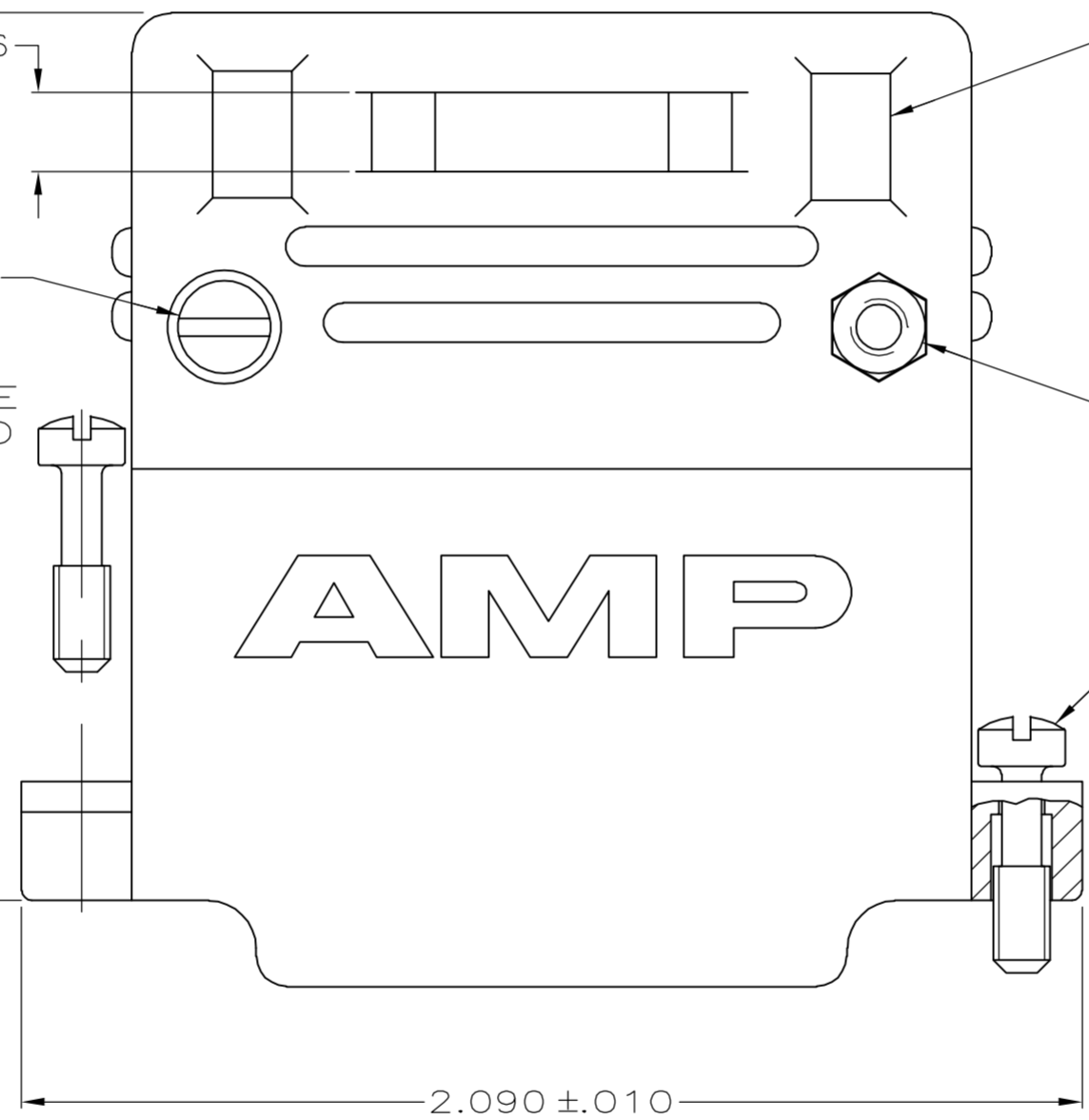


INTERNAL CABLE  
TIE OPENINGS

TWO PIECE CABLE  
SUPPORT HOUSING.  
MATERIAL: THERMOPLASTIC, GRAY



#4-40 STEEL,  
SCREW,  
ZINC PLATED,  
CLEAR CHROMATE  
COATED, 2-REQD



EXTERNAL CABLE  
TIE OPENINGS

#4-40 HEX NUT, STEEL,  
ZINC PLATED CLEAR CHROMATE COATED

#4-40 CRS SCREW,  
ZINC PLATED, 2 REQD  
YELLOW CHROMATE COATED

AMP

1. THIS PART WILL FIT ANY STANDARD SIZE 3 PLUG OR RECEPTACLE IN THE AMPLIMITE SERIES.
2. ALL PARTS ARE PACKAGED UNASSEMBLED.

1 KIT PER POLY BAG	5206472-1
PACKAGING	PART NUMBER

THIS DRAWING IS A CONTROLLED DOCUMENT.		DWN R.RICHARDSON 31AUG05	Tyco Electronics Corporation Harrisburg, PA 17105-3608	
DIMENSIONS: INCHES		CHK C.ROHDE 31AUG05	NAME CABLE CLAMP ASSEMBLY, 180', SIZE 3, 25 POSITION, AMPLIMITE HD-20	
TOLERANCES UNLESS OTHERWISE SPECIFIED:		APVD M. WALMSLEY 31AUG05	RESTRICTED TO	
0 PLC ± -		PRODUCT SPEC	SIZE CAGE CODE DRAWING NO	
1 PLC ± -		APPLICATION SPEC	A2 00779 C=5206472	
2 PLC ± -		WEIGHT	SCALE 3:1 SHEET 1 of 1 REV 0	
3 PLC ± .005		MATERIAL	CUSTOMER DRAWING	
4 PLC ± -		FINISH		
ANGLES ± -		SEE CALLOUTS		
SEE CALLOUTS				

5206472